



MTC EV/3

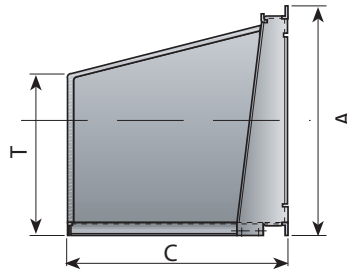
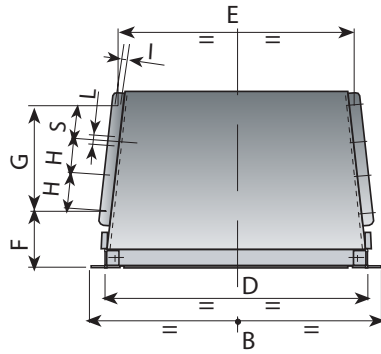
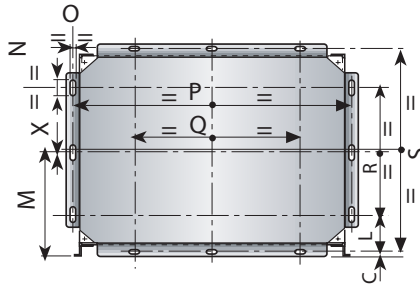
- 21"
- 25"
- 28"
- 29"
- 34"
- 32"

MECHANICAL DATA

DIM.	A	B	C	D	E	F	G	H	I	L	M	N	O	P	Q	R	S	T	U	V	Z	X
21"	423	517.5	355	465	421	114.5	209	70	6	20	211.5	20	8	698.5	280	270	404	296.5	9.5	-	9.5	-
25"	481.5	593	382	513	428.5	148	206	70	6	20	240.7	20	8	574	280	270	462.5	324.5	-	-	-	-
28"	525	650.5	402	542.5	433.5	173	203	70	6	20	262.5	20	8	631	280	270	506	338.5	-	-	-	-
29"	538	668	420	550	435	188	201	70	6	20	269	20	8	649	480	350	519	356.5	9.5	94	9.5	-
34"	610	754.5	430	595	438	208	196	70	6	20	305	20	8	740	530	395	590	386	10	105	10	2.5
32"	515.5	796	465	607	454	240.5	196	70	6	20	257.7	20	8	777	610	330	496.5	386.5	9.5	92.75	9.5	-



Highly cost effective, high resolution data monitors from Hantarex supplied without casing for easy integration into custom installations such as bulkheads, weatherproof housings and OEM applications. Simple to use, the EV range substitutes directly for a normal PC or Apple Macintosh (14-inch) monitor, bringing large screen impact and visibility to in-house and sales presentations, software demonstrations, and training courses. The range feature industry-standard high density 15-pin D-type VGA connectors with loop-through to allow simultaneous display on both the computer's monitor and larger display monitor.



MAIN DIMENSIONS AND WEIGHTS TABLE

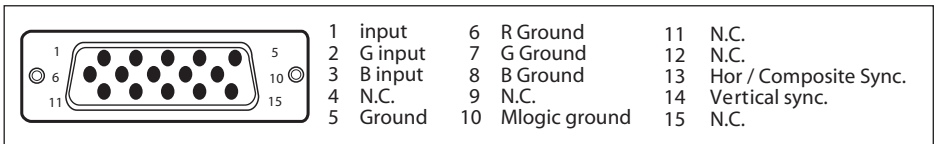
Size	HEIGHT	WIDTH	DEPTH	WEIGHT
21" EV/3	423 mm	518 mm	517.5 mm	21.8 Kg
PRODUCT CODE 02196110				
25" EV/3	481.5 mm	593 mm	382 mm	27.6 Kg
PRODUCT CODE 02196120				
28" EV/3	525 mm	650.5 mm	402 mm	31.2 Kg
PRODUCT CODE 02196130				
29" EV/3	538 mm	668 mm	420 mm	36.9 Kg
PRODUCT CODE 02196140				
34" EV/3	610 mm	754.5 mm	430 mm	52.1 Kg
PRODUCT CODE 02196150				
34" EV/3 FD	610 mm	754.5 mm	430 mm	52.1 Kg
PRODUCT CODE 02196160				
32" 16/9 FD	515.5 mm	796 mm	465 mm	52.1 Kg
PRODUCT CODE 02197380				

C.R.T. SIZE AND DIAGONALS

Inches	Diagonal	Ratio	U.S.A.
21"	51 cm	4/3	19 V
25"	59 cm	4/3	23 V
28"	66 cm	4/3	26 V
29"	68 cm	4/3	27 V
34"	80 cm	4/3	32 V
32"	76 cm	16/9	-

Specifications of products are subject to change without notice.

RGB-ANALOGIC CONNECTOR



BANDWIDTH	22 MHz - 3 dB; rise/fall time 20 ns
HORIZONTAL SYNC: FREQUENCY	31 - 38KHz autosync; blanking 4.6 ns
VERTICAL SYNC: FREQUENCY	48 - 120Hz autosync; blanking 0.55 ms
AUDIO power output (optional)	6 W 8 ohm
MAIN REQUIREMENTS	180 - 264V AC 50Hz - (90 - 130V AC 60Hz, USA)
POWER CONSUMPTION	150 W MAX
OPERATING TEMPERATURE	+ 0 °C - 45 °C
MICROPROCESSOR CONTROL SYSTEM	"ON SCREEN DISPLAY" to adjust the analog levels, geometry and colors. Automatic detection and adjustment of the geometry with the various standards, VGA and S-VGA
DEGAUSSING SYSTEM	Manually from the "ON SCREEN DISPLAY"
VIDEO CONNECTORS	D15 INPUT-OUTPUT for analogue VGA-SVGA
CONTROLS	5 key control panel (on the back of the monitor)
AUDIO CONNECTORS	Mono/Stereo RCA audio connectors
IMPEDANCE SWITCH	75 ON/OFF switch for the VGA/SVGA analog inputs
SAFETY	Compliance with EN 60950 X-Ray emission protection