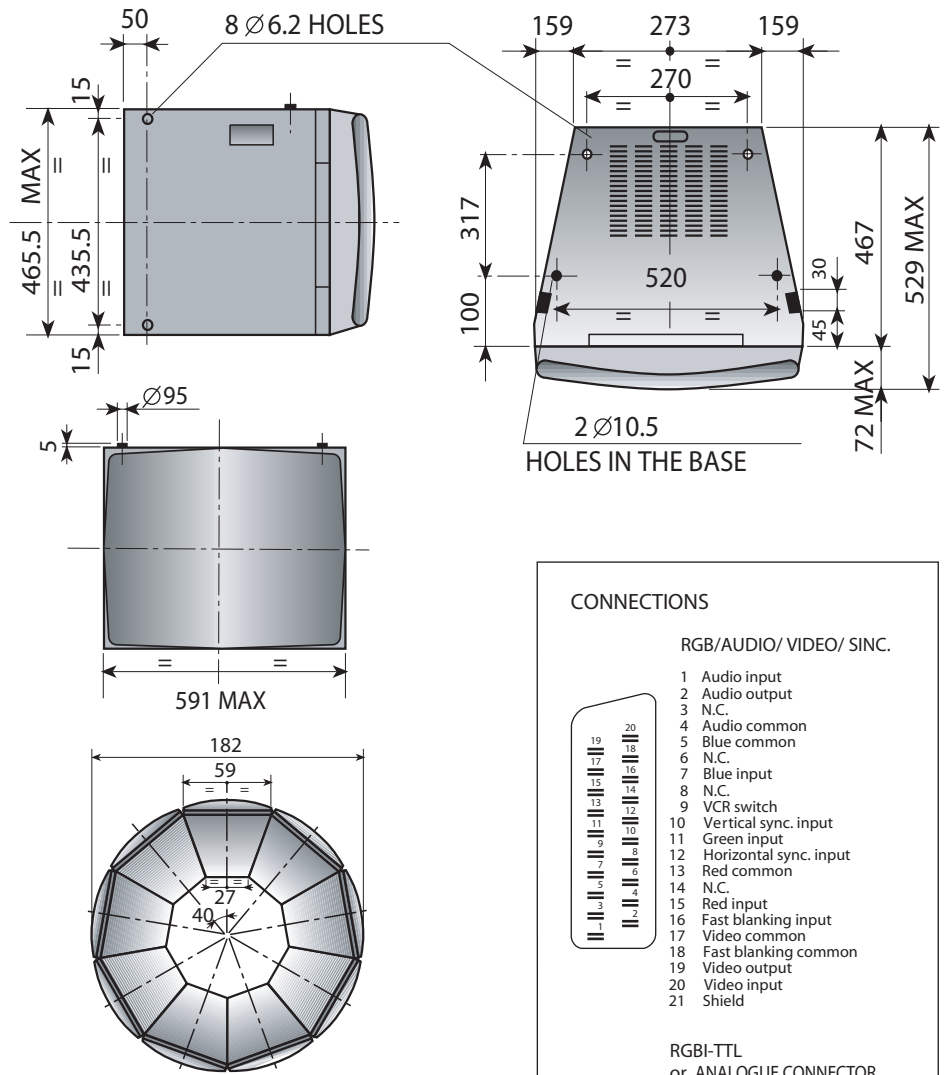




MGG EQ/3 TOWER 28"



Professional colour monitors for video walls. The Tower "T" video wall monitor is a flexible and highly cost effective wedge shaped monitor designed to enable the construction of cylindrical video walls, an ideal format for eye-catching displays in retail environments, exhibitions, leisure and other public areas. Nine monitors are viewing circle and are stacked vertically to form a Tower. Available in two versions the EQ/3 quadrandard composite video, RGB and SVHS model with priority switching and the RGB model for dedicated RGB applications.

Specifications of products are subject to change without notice.

MAIN DIMENSIONS AND WEIGHTS TABLE

28" EQ/3	HEIGHT	WIDTH	DEPTH	WEIGHT
	465.5 mm	591 mm	529 mm	40kg
PRODUCT CODE	02197300			

C.R.T . SIZE AND DIAGONALS

Inches	Diagonal	Ratio	U.S.A.
28"	66 cm	4/3	26 V

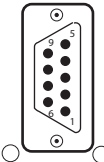
CONNECTIONS

RGB/AUDIO/ VIDEO/ SYNC.

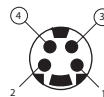


- 1 Audio input
- 2 Audio output
- 3 N.C.
- 4 Audio common
- 5 Blue common
- 6 N.C.
- 7 Blue input
- 8 N.C.
- 9 VCR switch
- 10 Vertical sync. input
- 11 Green input
- 12 Horizontal sync. input
- 13 Red common
- 14 N.C.
- 15 Red input
- 16 Fast blanking input
- 17 Video common
- 18 Fast blanking common
- 19 Video output
- 20 Video input
- 21 Shield

RGBI-TTL or ANALOGUE CONNECTOR



- 1 Common
- 2 N.C.
- 3 Red
- 4 Green
- 5 Blue
- 6 N.C.
- 7 N.C.
- 8 Hor sync. - comp. sync - sync on G
- 9 Vert. sync



- #### SUPER - VHS
- 1 Common
 - 2 Common
 - 3 Chroma
 - 4 Luma

TECHNICAL SPECIFICATION MGG EQ/3 28" TOWER

PICTURE TUBE	Deflection angle Pixel width Flat Square	28" 110° 0.82 mm F.S. Black matrix - high contrast
COLOUR SYSTEM		PAL / SECAM / NTSC 3.58 / NTSC 4.43, automatic selection
VIDEO SIGNAL SYSTEM		EIA 525 lines/ 60 fields (U.S.A.) CCIR 625 lines / 50 fields (EUROPE)
INPUT SIGNALS	VIDEO SUPER VHS RGB SCART CONNECTOR AUDIO	To BNC connectors with 75 ohm resistance excludible for loop connections. Vi = 1 Vpp To mini, 4 position DIN connectors Vi crominance = 300mVpp Vi luminance = 1Vpp To D9 connector and analog input level (0.7Vpp). TTL level obtainable by disconnecting 3 bridges on the signal plate. Separate sync, positive/negative composite, or sync on green Sync level = 0.5V - 5Vpp To the video and audio input/output, RGB input, fast RGB commutation (1.5V - 12V) Slow VCR video commutation (4.5V - 12V) To RCA and SCART connector Vi = 0.5Vrms Output power = 6W at 8 ohm
VIDEO BANDWIDTH	Composite video RGB SVHS	6 MHz (-3dB) 8 MHz (-3dB) 8 MHz (-3dB) brightness
POWER INPUT		180 - 264 V a.c. 50 Hz (90 -130 V a.c. 60 Hz USA version)
POWER CONSUMPTION		90 W max for 21" - 29", 125 W max for 34"
OPERATING TEMPERATURE		5 to 40°C